



SM15K – Master/Slave Assembly Kits

- M/S PAR SET A2...A6

M/S PAR Kits SM70-CP-450

This document is an addition to the SM15K interface manual.
It contains instructions for the connection for Master/Slave set-ups
using the M/S PAR assembly kits.

APPLICATION NOTE

Revision 2022/03

Contents:

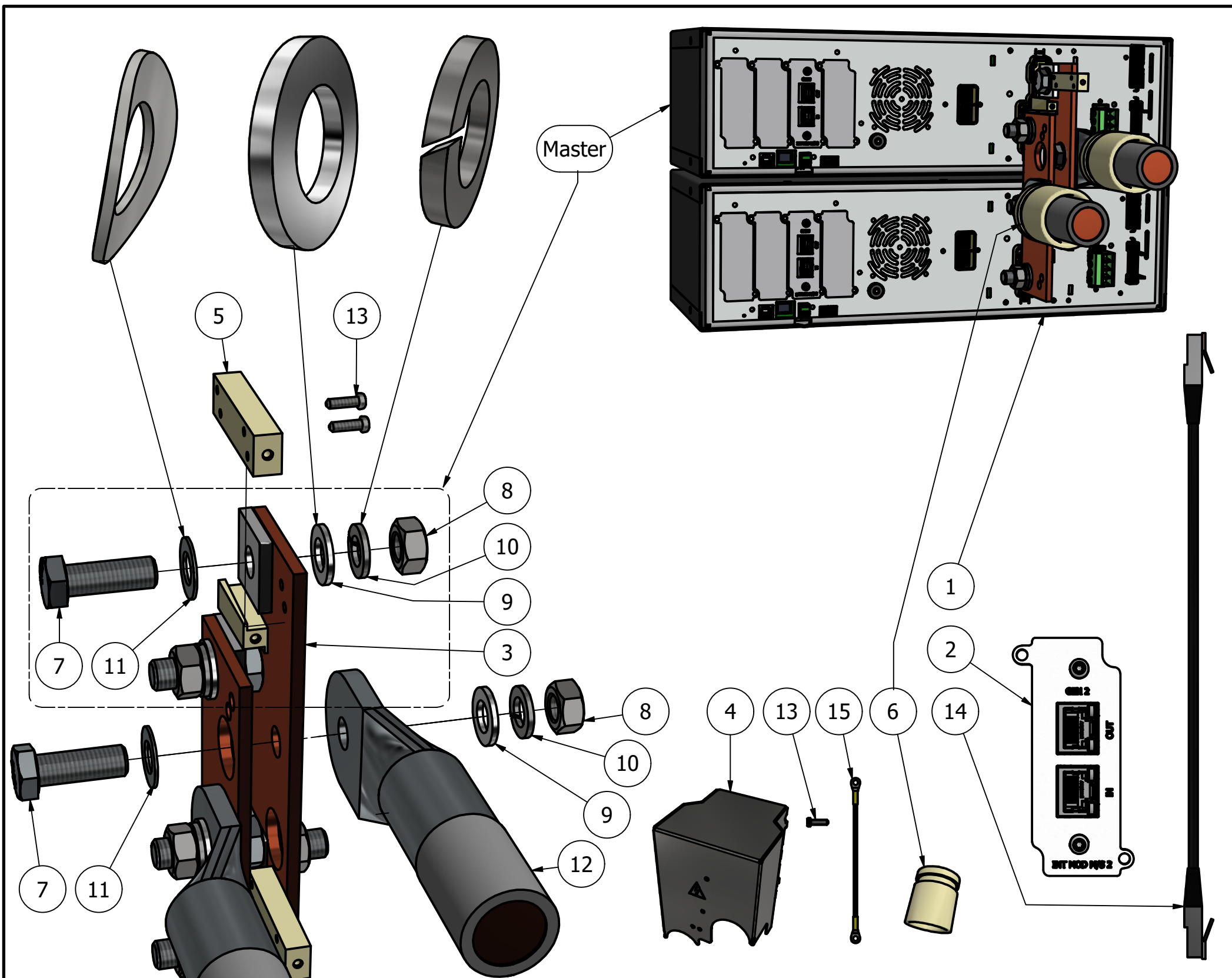
- 1 – M/S PAR SET A2 (using 2 cables)
- 2 – M/S PAR SET A2 (using 4 cables)
- 3 – M/S PAR SET A3
- 4 – M/S PAR SET A4
- 5 – M/S PAR SET A5
- 6 – M/S PAR SET A6

Your contact:



Schulz Electronic
Professional Power Supplies

Schulz-Electronic GmbH
Dr.-Rudolf-Eberle-Straße 2
D-76534 Baden-Baden
Fon + 49.7223.9636.0
Fax + 49.7223.9636.90
vertrieb@schulz-electronic.de
www.schulz-electronic.de

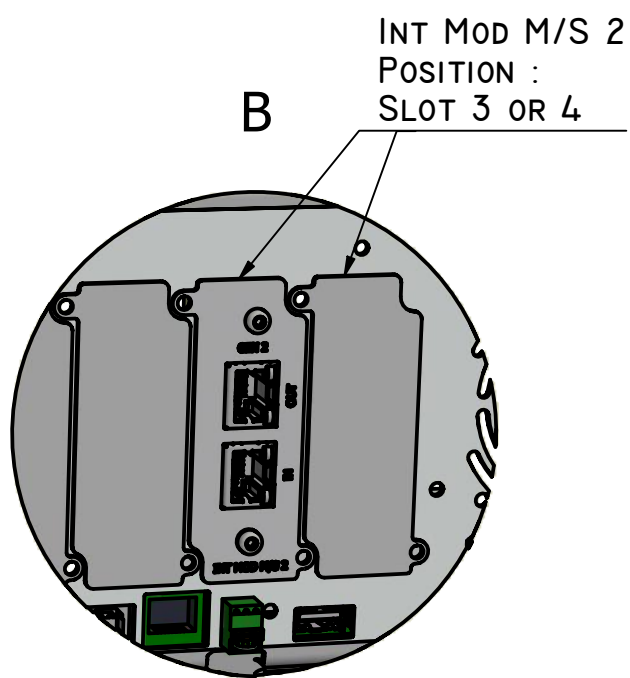
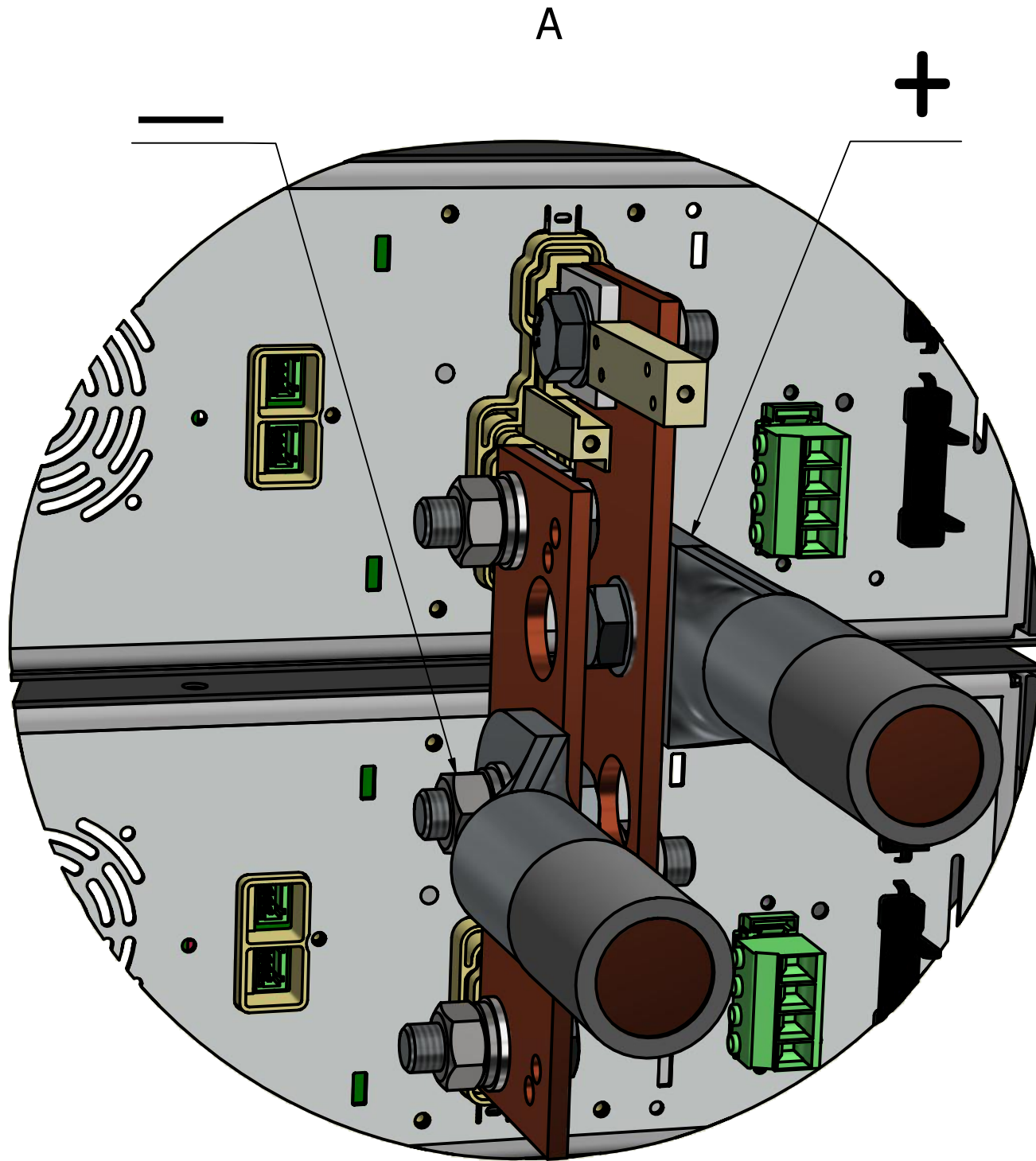


PARTS LIST				
M/S PAR SET A2 2CBL	ITEM	QTY	STOCK NUMBER	DESCRIPTION
**	1	2	SM70-SM-450	power unit
**	2	2	int mod ms 2	interface ms gen 2
v	3	2	dwg2539	m/s strip1 2 units lv
v	4	2	dwg2548	cover outp ms 2cbl lv
v	5	3	dwg2549	cover outp ms bracket 2 cbl lv
v	6	2	dwg2550	grommet ms 2cbl lv
v*	7	6	M12x35 SG DIN933	screw M12X35 SG DIN933 10.9/Geomet-500
v*	8	6	M12 A2 DIN934	nut M12 A2
v*	9	6	M12 A2 DIN125	washer M12 A2
v*	10	6	M12 A2 DIN 127B	lock washer
v	11	6	M12x24 DIN 137B	crinkle washer
	12	2	Not supplied	load cable cable lug M12x400mm2
v	13	10	3.5x12 ro he T15	D-PT 3.5x12 ro he A2 T15 selftap
v	14	2	CBL P SFTP 0.5 BK	patch cable BK 0.5 m RJ45
v	15	1	DWG2603	earth cable m/s

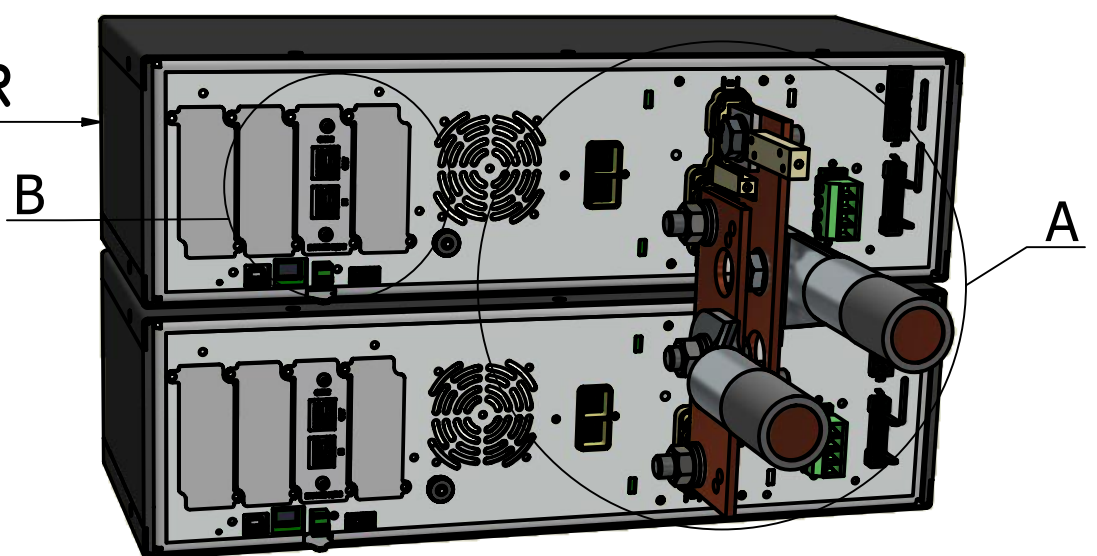
REVISIONS	DATE	NAME	SURFACE TREATMENT:	MAT:
REMARK:				DIM: mm Tol.: ± 0.2
			NAME DESIGNER	Delta Elektronika B.V.
			S.Janse	VISSERSDIJK 4
			DATE	4301 ND ZIERIKZEE
			04-02-2022	NETHERLANDS
TITLE: MASTER SLAVE assembly 2 units lv			DWG	A3
				SHEET I-3

* QTY:2 PCS
 ** ORDER SEPARATELY





MASTER

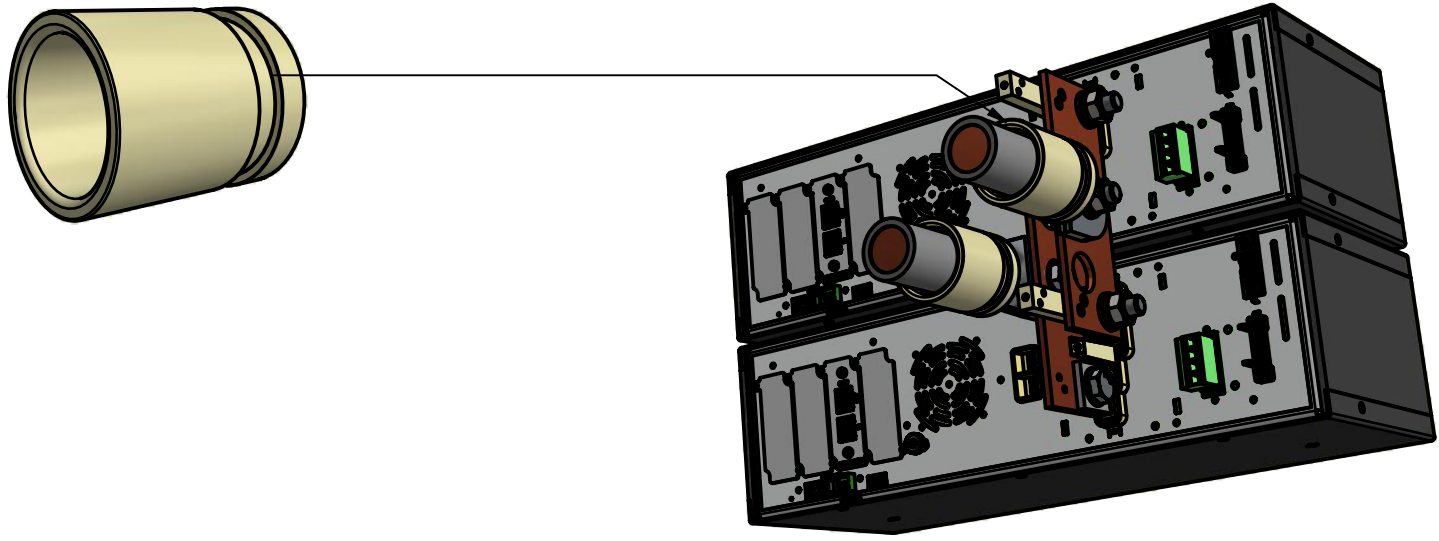


SM70-CP-450 (2x)
OUTPUT CABLE (2x)

			SURFACE TREATMENT:	MAT:
				DIM: mm Tol.: ± 0.2
			NAME DESIGNER	Delta Elektronika B.V.
			S.Janse	VISSERSDIJK 4
			DATE	4301 ND ZIERIKZEE
			04-02-2021	NETHERLANDS
REVISIONS	DATE	NAME	TITLE: MASTER SLAVE	
REMARK:			assembly 2 units lv	
			DWG	A3
				SHEET 2-3

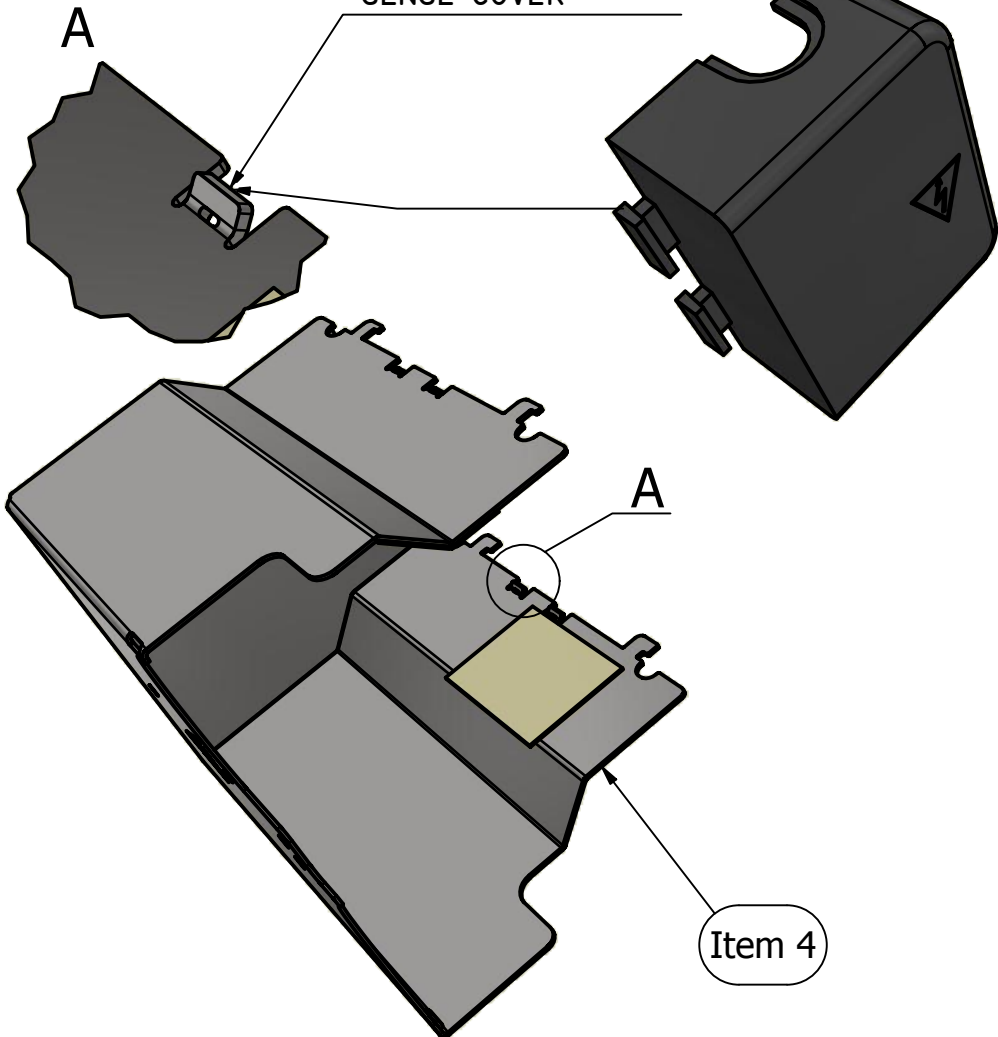


STEP 1 FIT GROMMETS BEFORE ASSEMBLING CABLES

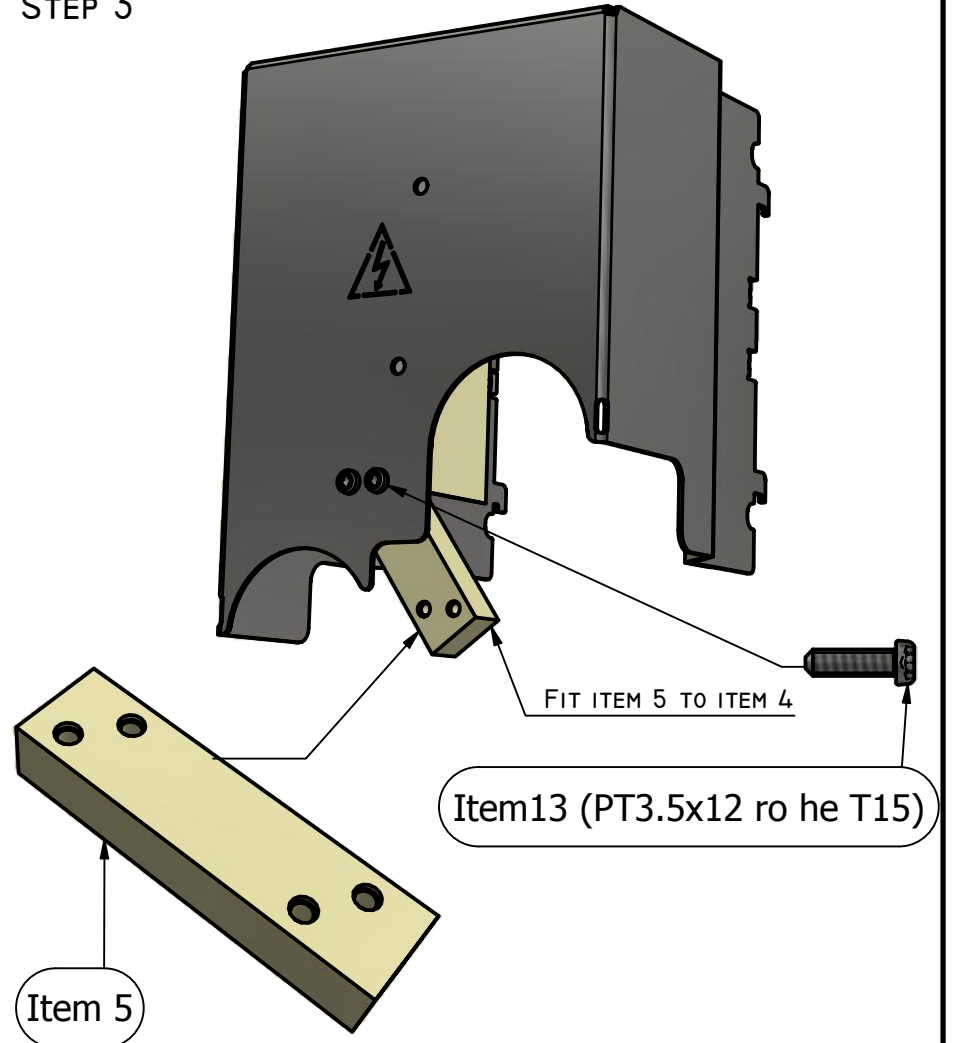


STEP 2

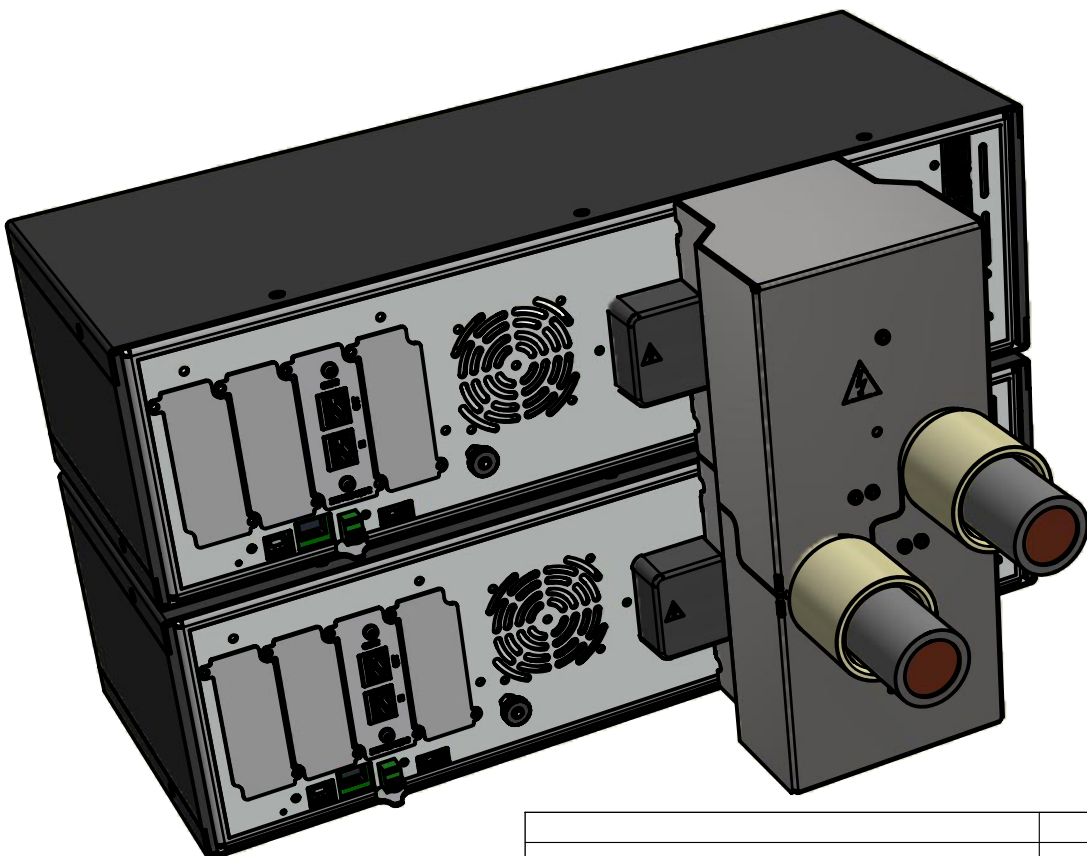
BEND ITEM 4 TO FIT SENSE COVER



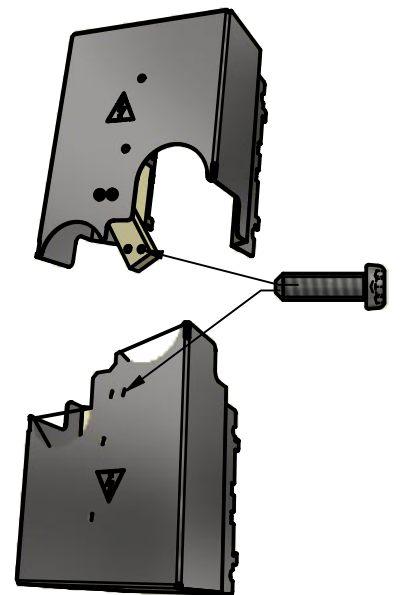
STEP 3



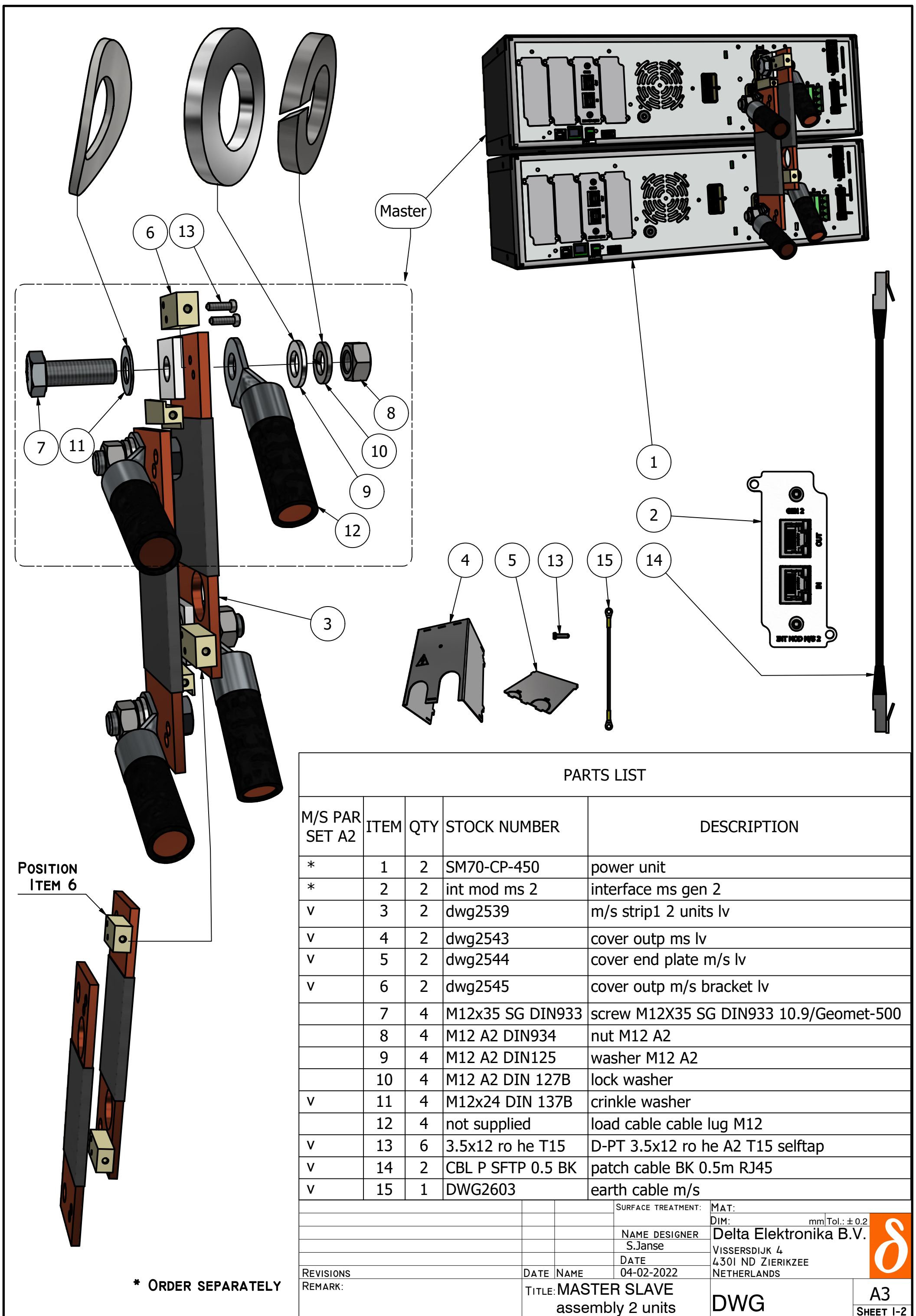
STEP 4 FIT COVERS



STEP 5 FIT TWO SCREWS



			SURFACE TREATMENT:	MAT:
				DIM: mm Tol.: ± 0.2
			NAME DESIGNER	Delta Elektronika B.V.
			S.Janse	VISSERSDIJK 4
			DATE	4301 ND ZIERIKZEE
			23-03-2021	NETHERLANDS
REVISIONS	DATE	NAME	TITLE: MASTER SLAVE	A3
REMARK:			assembly 2 units lv	
			DWG	SHEET 3-3



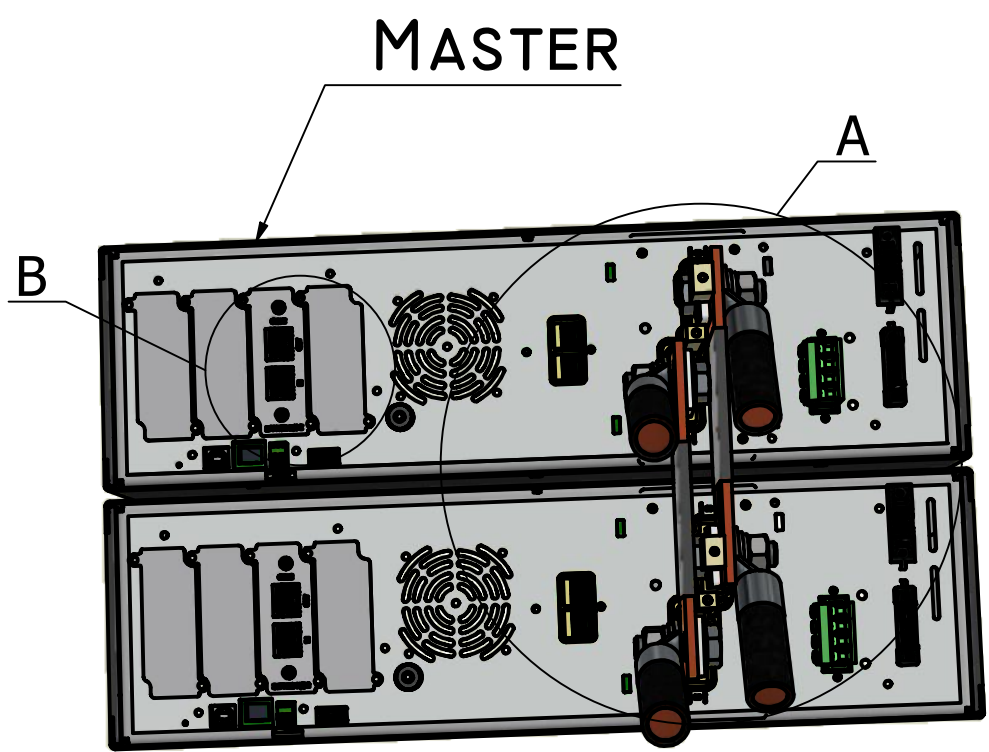
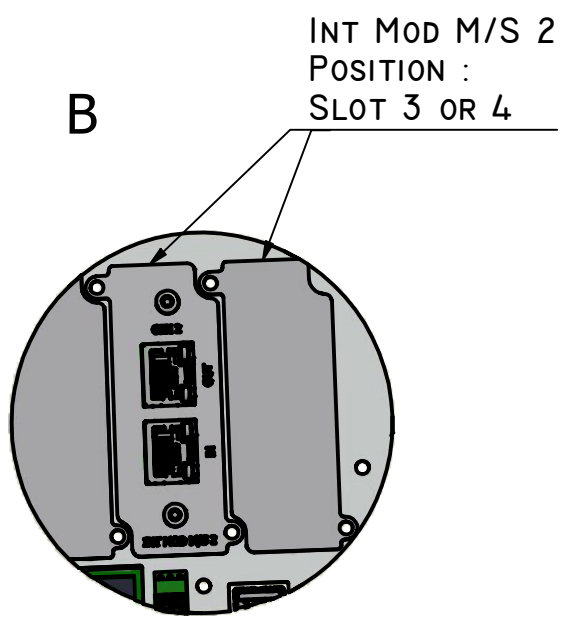
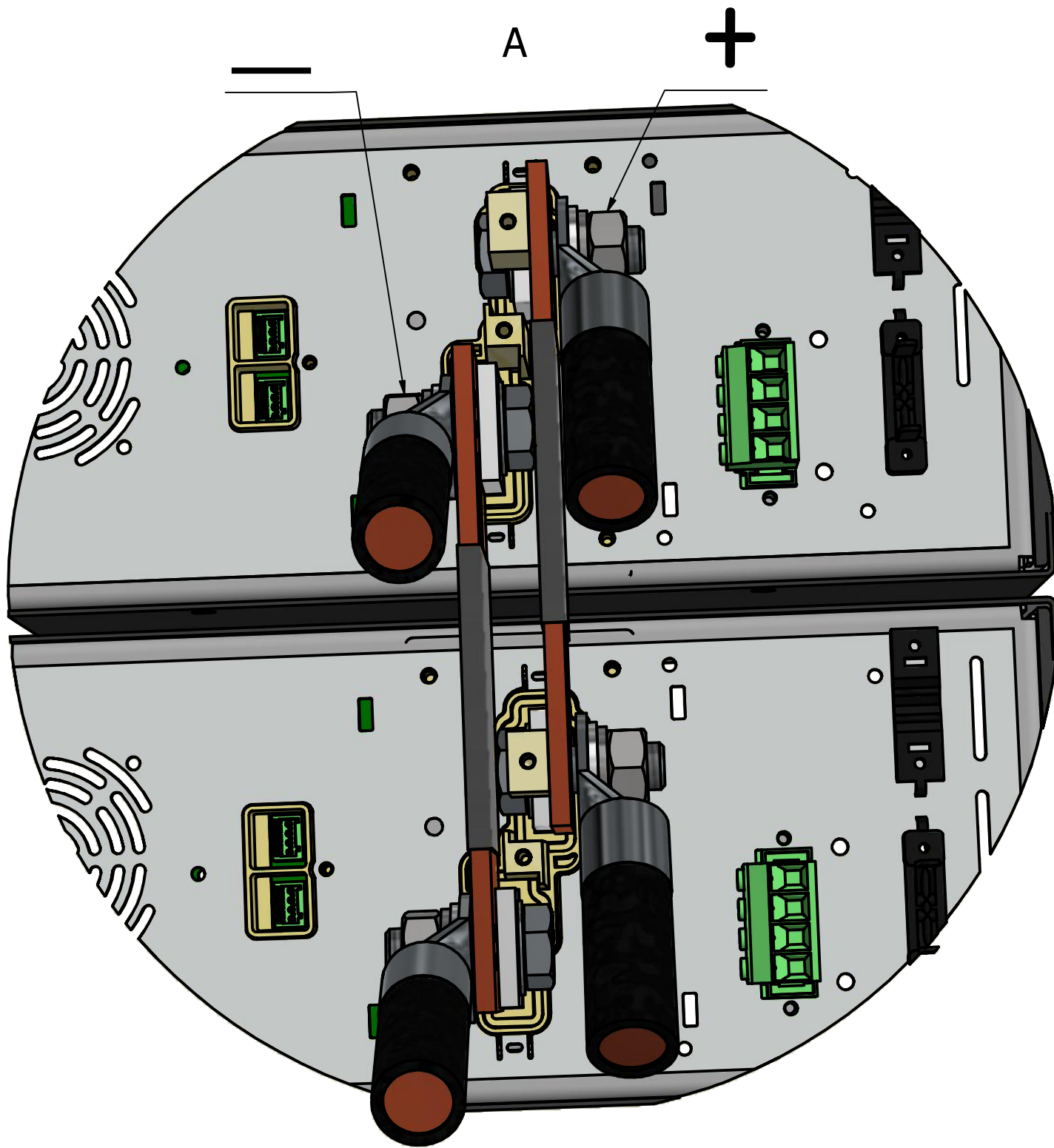
PARTS LIST

M/S PAR SET A2	ITEM	QTY	STOCK NUMBER	DESCRIPTION
*	1	2	SM70-CP-450	power unit
*	2	2	int mod ms 2	interface ms gen 2
v	3	2	dwg2539	m/s strip1 2 units lv
v	4	2	dwg2543	cover outp ms lv
v	5	2	dwg2544	cover end plate m/s lv
v	6	2	dwg2545	cover outp m/s bracket lv
	7	4	M12x35 SG DIN933	screw M12X35 SG DIN933 10.9/Geomet-500
	8	4	M12 A2 DIN934	nut M12 A2
	9	4	M12 A2 DIN125	washer M12 A2
	10	4	M12 A2 DIN 127B	lock washer
v	11	4	M12x24 DIN 137B	crinkle washer
	12	4	not supplied	load cable cable lug M12
v	13	6	3.5x12 ro he T15	D-PT 3.5x12 ro he A2 T15 selftap
v	14	2	CBL P SFTP 0.5 BK	patch cable BK 0.5m RJ45
v	15	1	DWG2603	earth cable m/s

POSITION
ITEM 6

* ORDER SEPARATELY

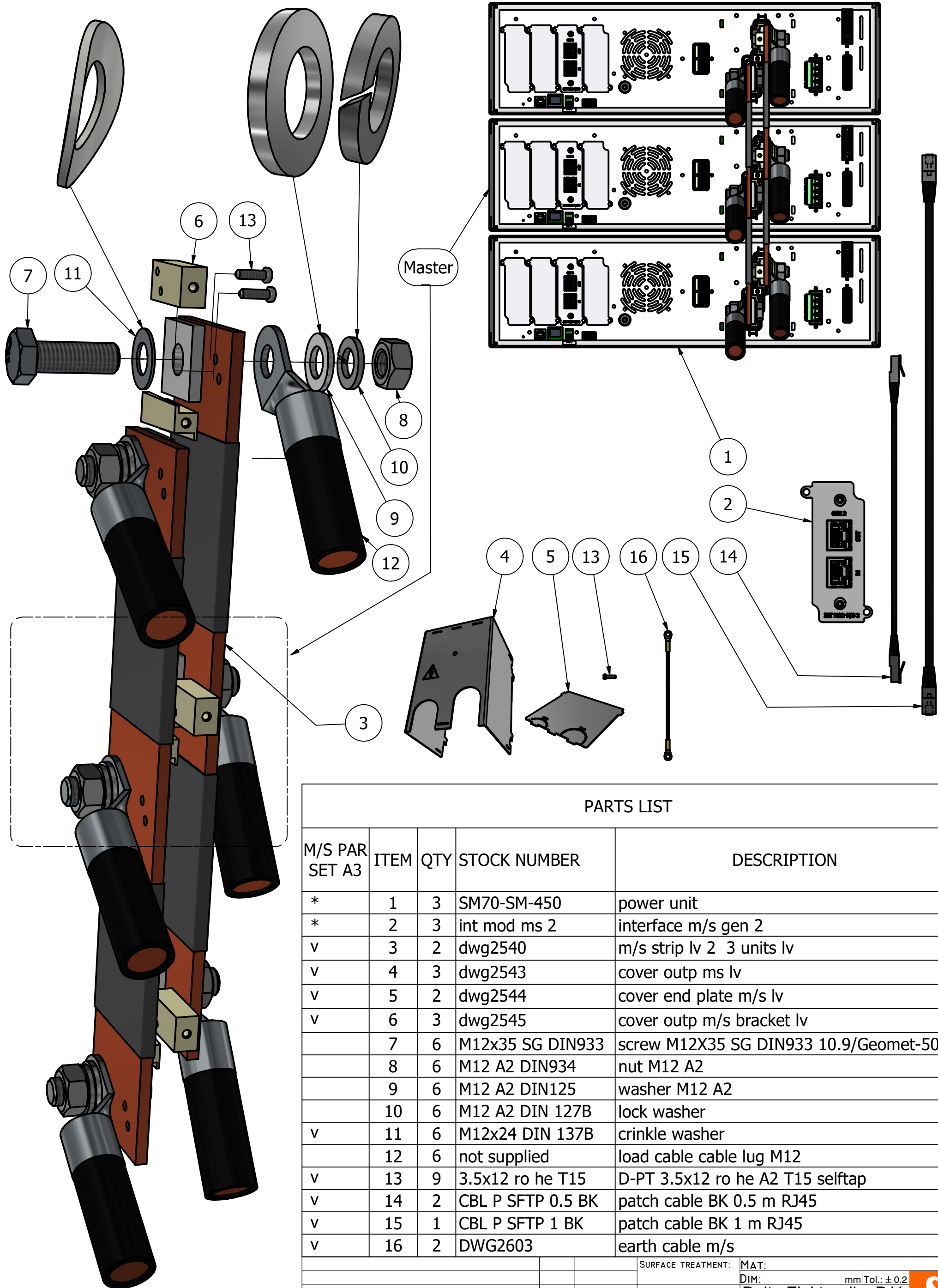
REVISIONS	DATE	NAME	SURFACE TREATMENT:	MAT:
REMARK:				DIM: mm Tol.: ± 0.2
			NAME DESIGNER	Delta Elektronika B.V.
			S.Janse	VISSERSDIJK 4
			DATE	4301 ND ZIERIKZEE
			04-02-2022	NETHERLANDS
TITLE: MASTER SLAVE assembly 2 units			DWG	A3 SHEET I-2



SM70-CP-450 (2x)
OUTPUT CABLE (4x)

			SURFACE TREATMENT:	MAT:
				DIM: mm Tol.: ± 0.2
			NAME DESIGNER	Delta Elektronika B.V.
			S.Janse	VISSERSDIJK 4
			DATE	4301 ND ZIERIKZEE
			14-02-2019	NETHERLANDS
REVISIONS	DATE	NAME		
REMARK:	TITLE: MASTER SLAVE assembly 2 units		DWG	A3
				SHEET 2-2





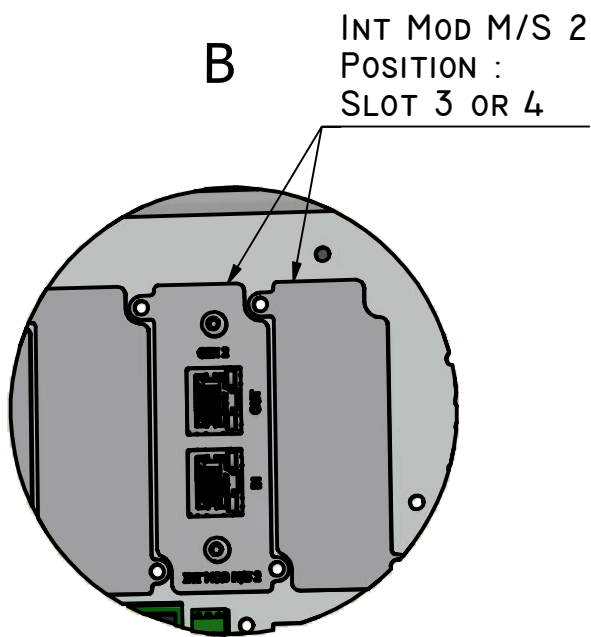
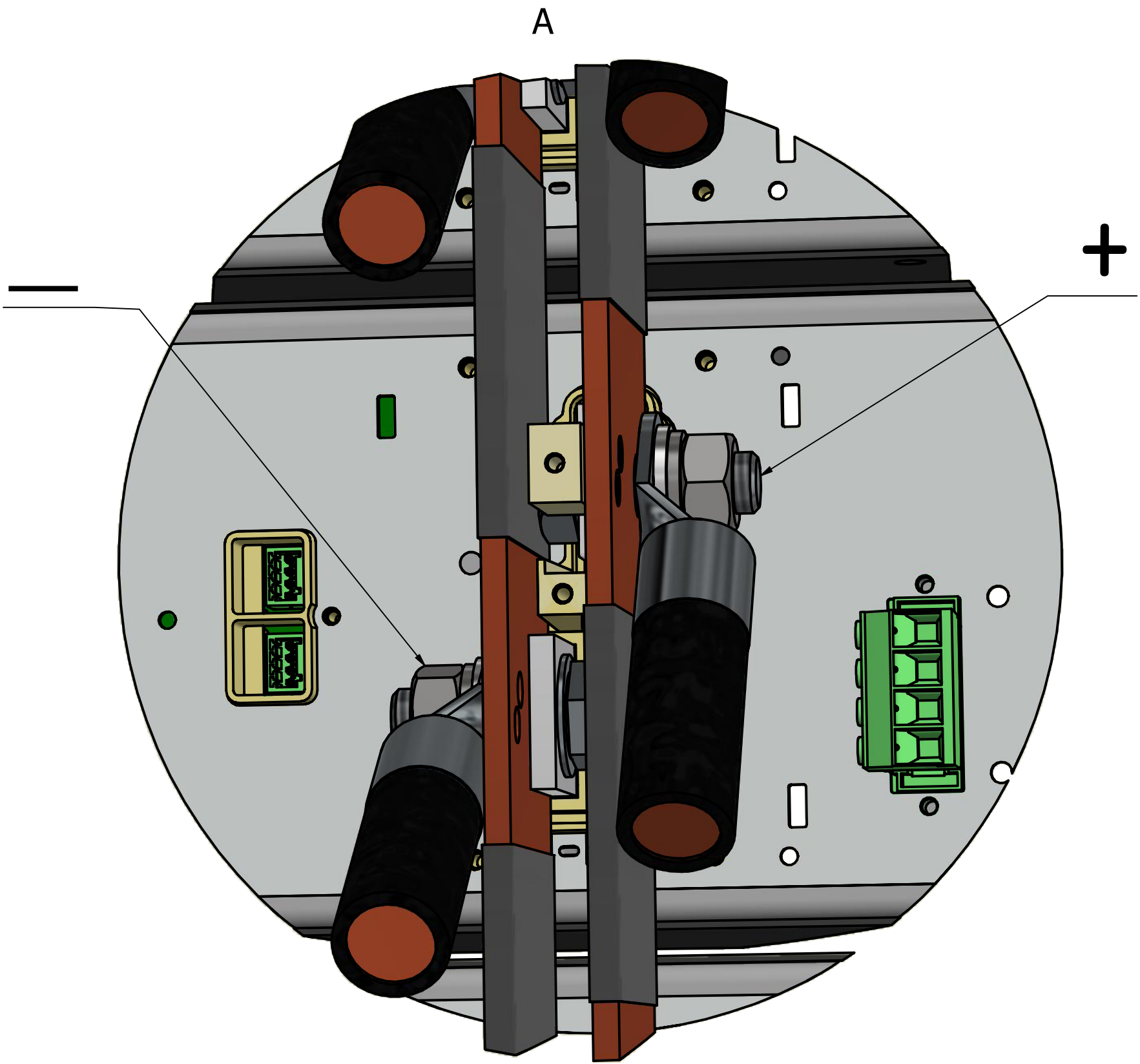
PARTS LIST

M/S PAR SET A3	ITEM	QTY	STOCK NUMBER	DESCRIPTION
*	1	3	SM70-SM-450	power unit
*	2	3	int mod ms 2	interface m/s gen 2
v	3	2	dwg2540	m/s strip lv 2 3 units lv
v	4	3	dwg2543	cover outp ms lv
v	5	2	dwg2544	cover end plate m/s lv
v	6	3	dwg2545	cover outp m/s bracket lv
	7	6	M12x35 SG DIN933	screw M12X35 SG DIN933 10.9/Geomet-500
	8	6	M12 A2 DIN934	nut M12 A2
	9	6	M12 A2 DIN125	washer M12 A2
	10	6	M12 A2 DIN 127B	lock washer
v	11	6	M12x24 DIN 137B	crinkle washer
	12	6	not supplied	load cable cable lug M12
v	13	9	3.5x12 ro he T15	D-PT 3.5x12 ro he A2 T15 selftap
v	14	2	CBL P SFTP 0.5 BK	patch cable BK 0.5 m RJ45
v	15	1	CBL P SFTP 1 BK	patch cable BK 1 m RJ45
v	16	2	DWG2603	earth cable m/s

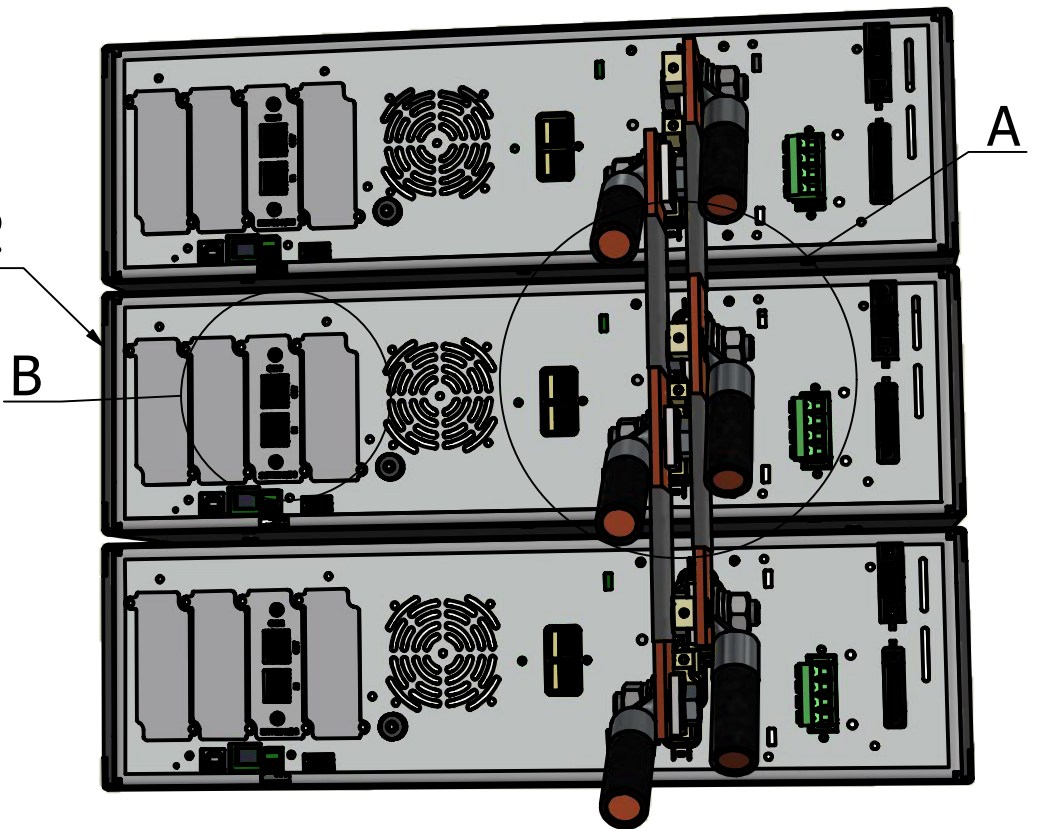
* ORDER SEPARATELY

REVISIONS	DATE	NAME	SURFACE TREATMENT:	MAT:
REMARK:				DIM: mm Tol.: ± 0.2
			NAME DESIGNER	Delta Elektronika B.V.
			S.Janse	VISSERSDIJK 4
			DATE	4301 ND ZIERIKZEE
			04-02-2022	NETHERLANDS
TITLE: MASTER SLAVE assembly 3 units			DWG	
			A3 SHEET I-2	





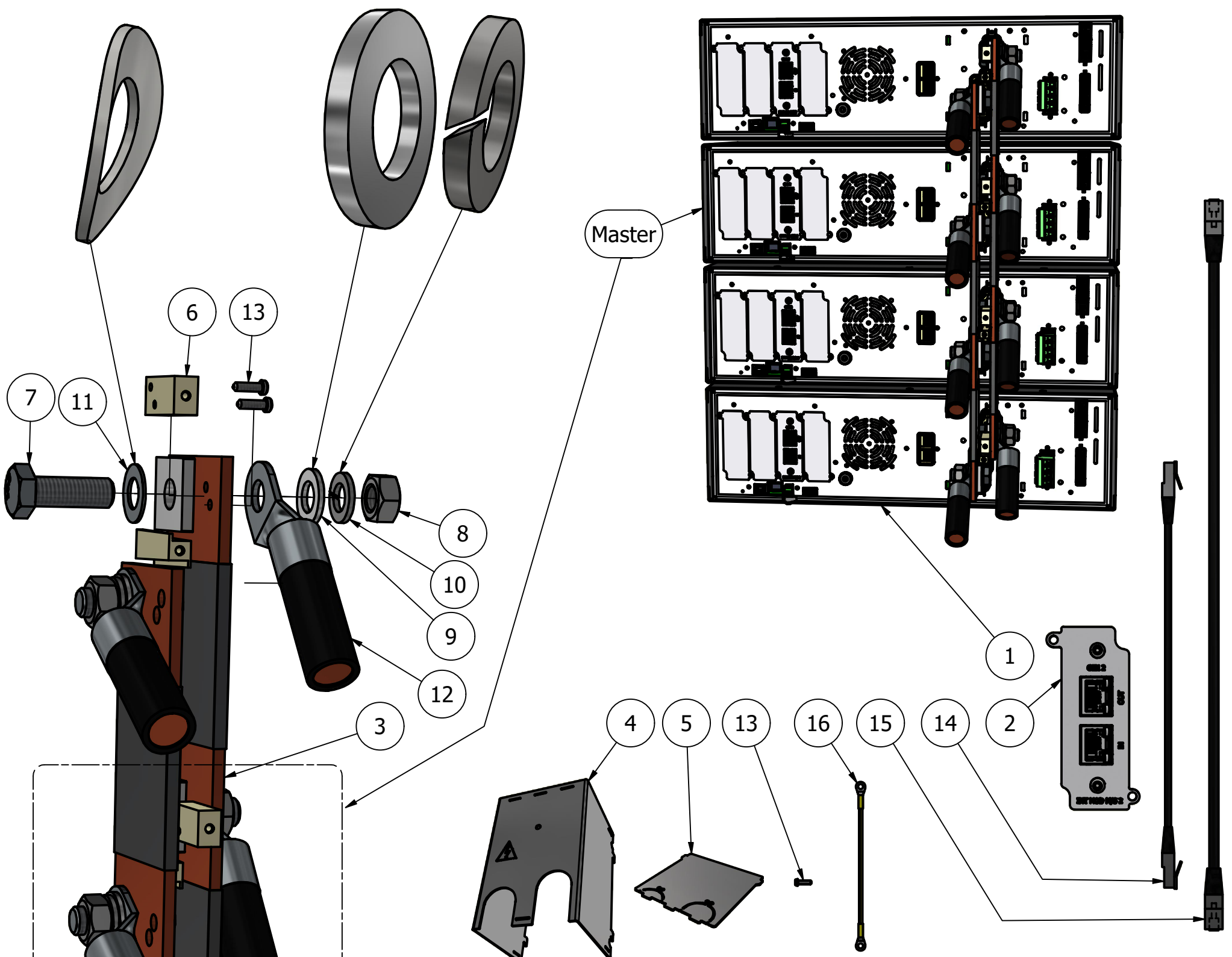
MASTER



SM70-CP-450 (3x)

			SURFACE TREATMENT:	MAT:
				DIM: mm Tol.: ± 0.2
			NAME DESIGNER	Delta Elektronika B.V.
			S.Janse	VISSERSDIJK 4
			DATE	4301 ND ZIERIKZEE
			14-02-2019	NETHERLANDS
REVISIONS	DATE	NAME	TITLE: MASTER SLAVE	
REMARK:			assembly 3 units	
			DWG	A3
				SHEET 2-2






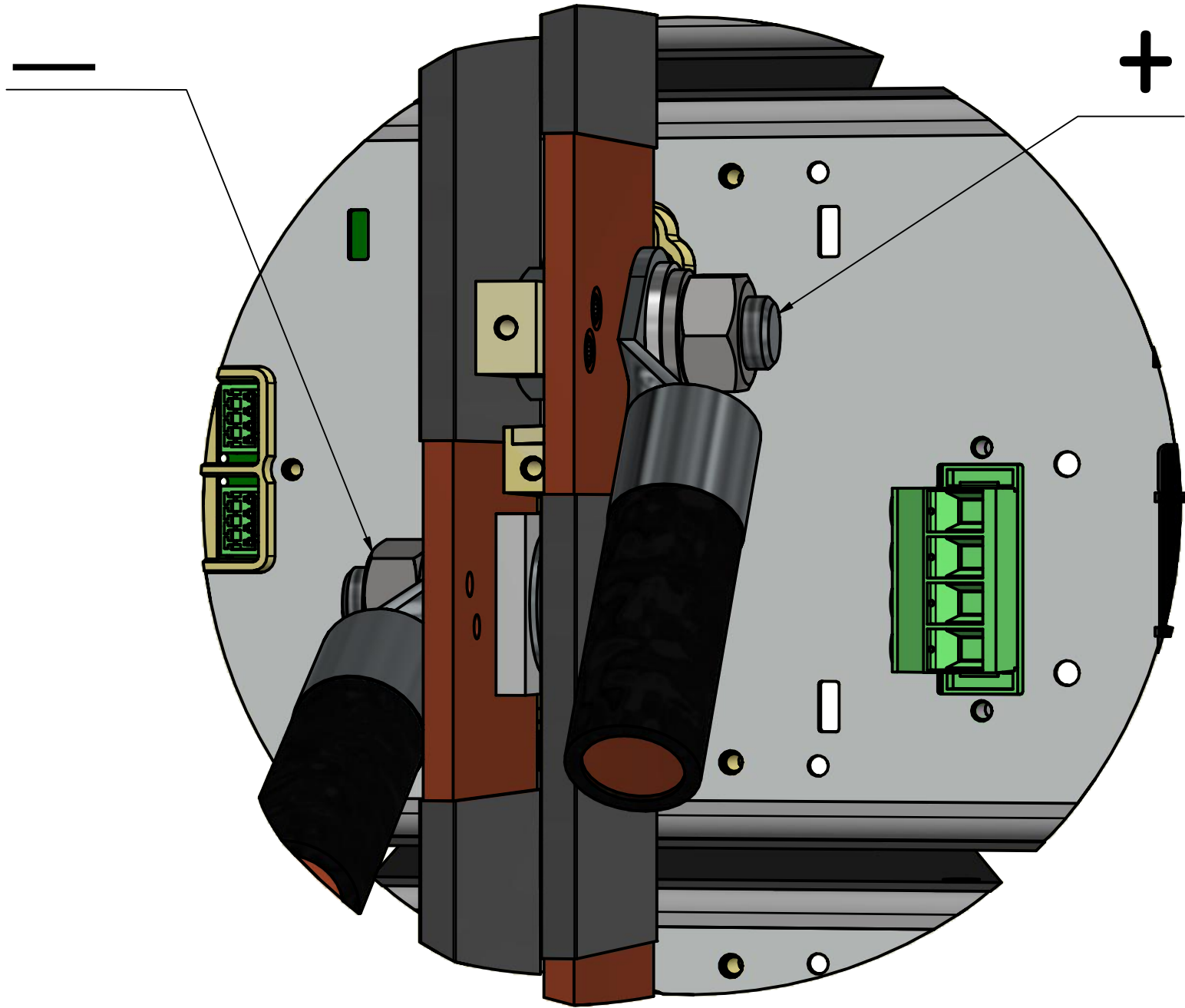
PARTS LIST

M/S PAR SET A4	ITEM	QTY	STOCK NUMBER	DESCRIPTION
*	1	4	SM70-SM-450	power unit
*	2	4	int mod ms 2	interface m/s gen 2
v	3	2	dwg2541	m/s strip 3 4 units lv
v	4	4	dwg2543	cover outp ms lv
v	5	2	dwg2544	cover end plate m/s lv
v	6	4	dwg2545	cover outp m/s bracket lv
	7	8	M12x35 SG DIN933	screw M12X35 SG DIN933 10.9/Geomet-500
	8	8	M12 A2 DIN934	nut M12 A2
	9	8	M12 A2 DIN125	washer M12 A2
	10	8	M12 A2 DIN 127B	lock washer
v	11	8	M12x24 DIN 137B	crinkle washer
	12	8	not supplied	load cable cable lug M12
v	13	12	3.5x12 ro he T15	D-PT 3.5x12 ro he A2 T15 selftap
v	14	3	CBL P SFTP 0.5 BK	patch cable BK 0.5 m RJ45
v	15	1	CBL P SFTP 1 BK	patch cable BK 1m RJ45
v	16	3	DWG2603	earth cable m/s

* ORDER SEPARATELY

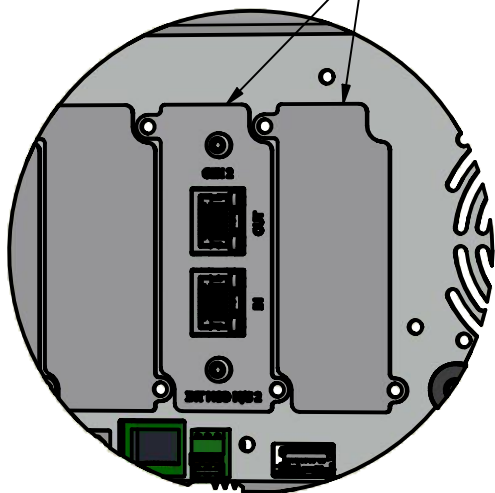
REVISIONS	DATE	NAME	SURFACE TREATMENT:	MAT:
REMARK:	04-02-2022	S.Janse	NAME DESIGNER	Delta Elektronika B.V.
			DATE	DIAM: mm Tol.: ± 0.2
			TITLE: MASTER SLAVE	VISSERSDIJK 4
			assembly 4 units	4301 ND ZIERIKZEE
			DWG	NETHERLANDS
				
				A3
				SHEET I-2

A

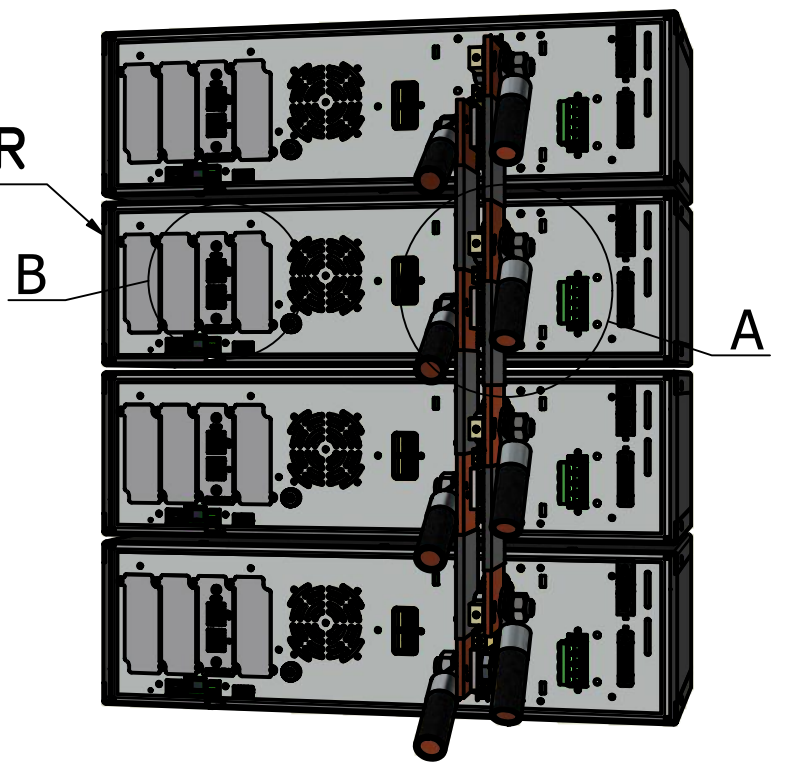


B

INT MOD M/S 2
POSITION :
SLOT 3 OR 4



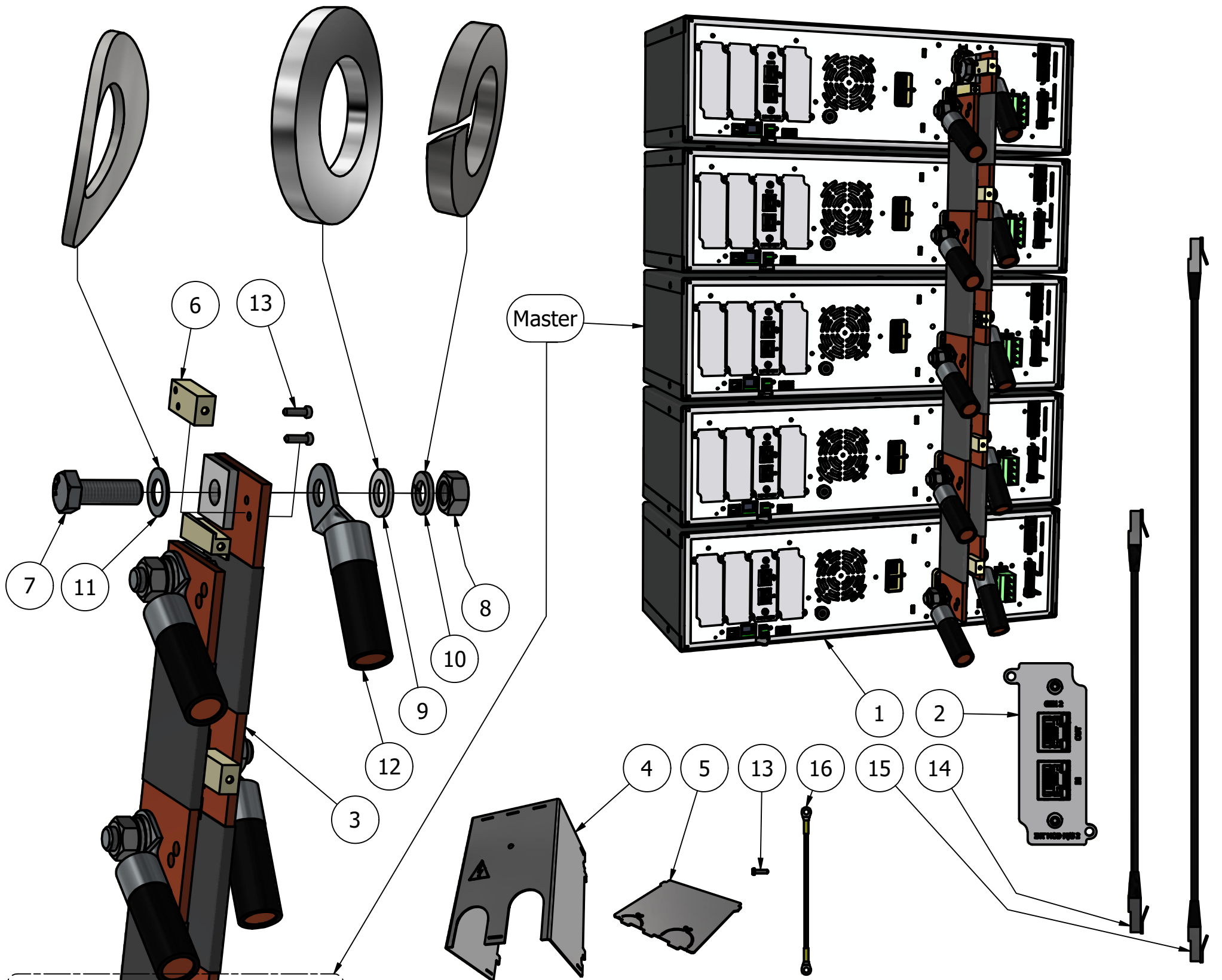
MASTER



SM70-CP-450 (4x)

			SURFACE TREATMENT:	MAT:
				DIM: mm Tol.: ± 0.2
			NAME DESIGNER	Delta Elektronika B.V.
			S.Janse	VISSERSDIJK 4
			DATE	4301 ND ZIERIKZEE
			14-02-2019	NETHERLANDS
REVISIONS	DATE	NAME	TITLE: MASTER SLAVE LV	A3
REMARK:			assembly 4 units	
			DWG	SHEET 2-2





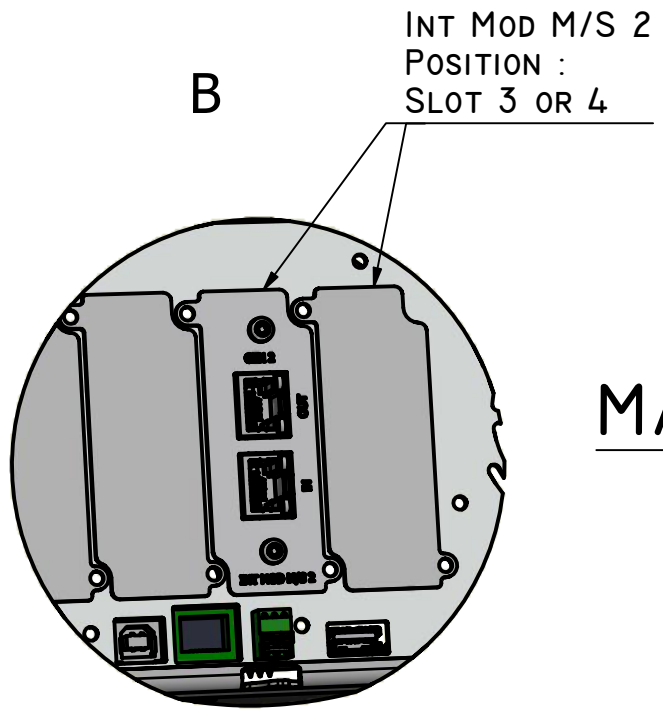
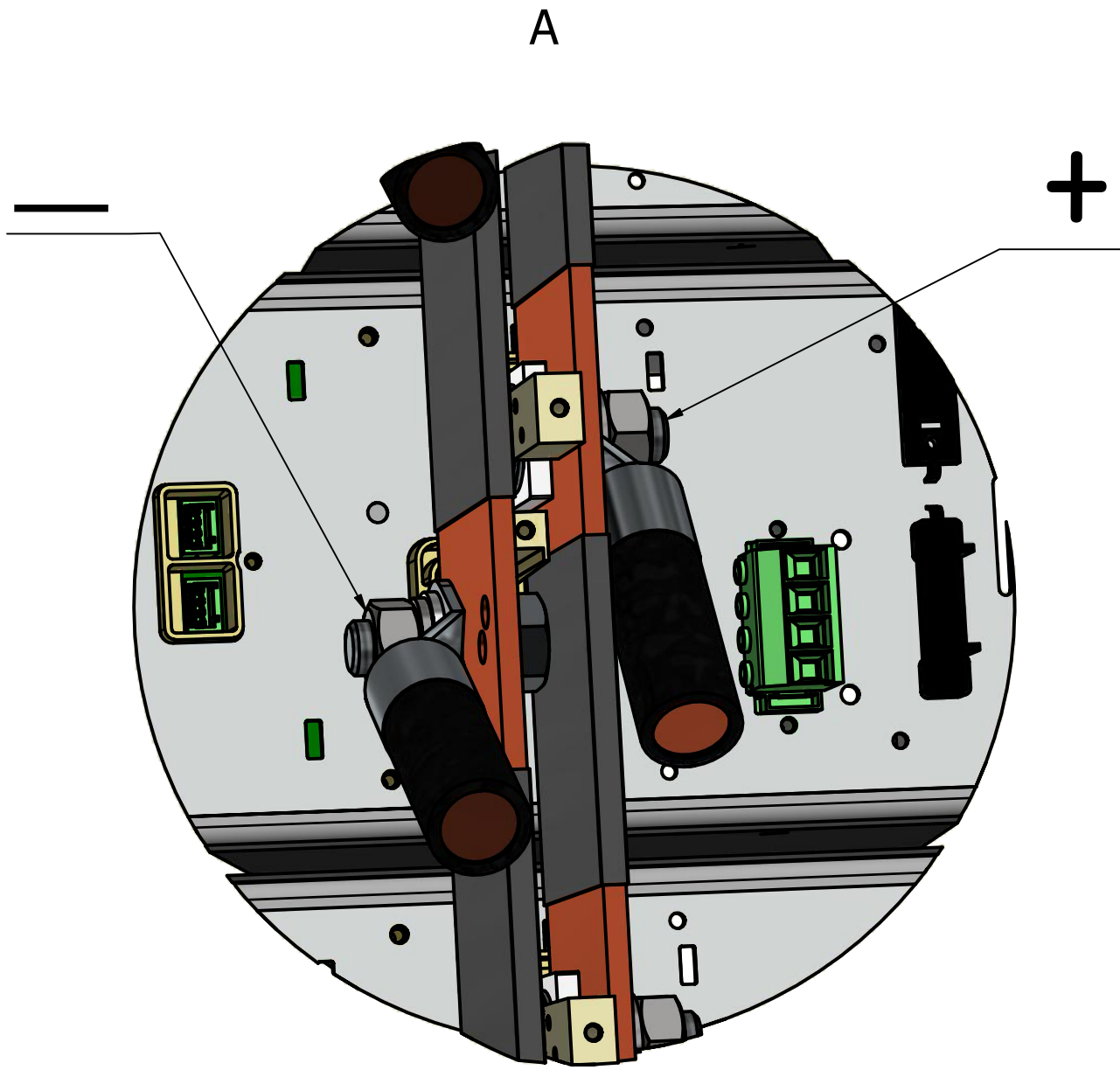
PARTS LIST

M/S PAR SET A5	ITEM	QTY	STOCK NUMBER	DESCRIPTION
*	1	5	SM70-SM-450	power unit
*	2	5	int mod ms 2	interface m/s gen 2
v	3	2	dwg2542	m/s strip 4 5 units lv
v	4	5	dwg2543	cover outp ms lv
v	5	2	dwg2544	cover end plate m/s lv
v	6	5	dwg2545	cover outp m/s bracket lv
	7	10	M12x35 SG DIN933	screw M12X35 SG DIN933 10.9/Geomet-500
	8	10	M12 A2 DIN934	nut M12 A2
	9	10	M12 A2 DIN125	washer M12 A2
	10	10	M12 A2 DIN 127B	lock washer
v	11	10	M12x24 DIN 137B	crinkle washer
	12	10	not supplied	load cable cable lug M12
v	13	15	3.5x12 ro he T15	D-PT 3.5x12 ro he A2 T15 selftap
v	14	4	CBL P SFTP 0.5 BK	patch cable BK 0.5 m RJ45
v	15	1	CBL P SFTP 1 BK	patch cable BK 1m RJ45
v	16	4	DWG2603	earth cable m/s

* ORDER SEPARATELY

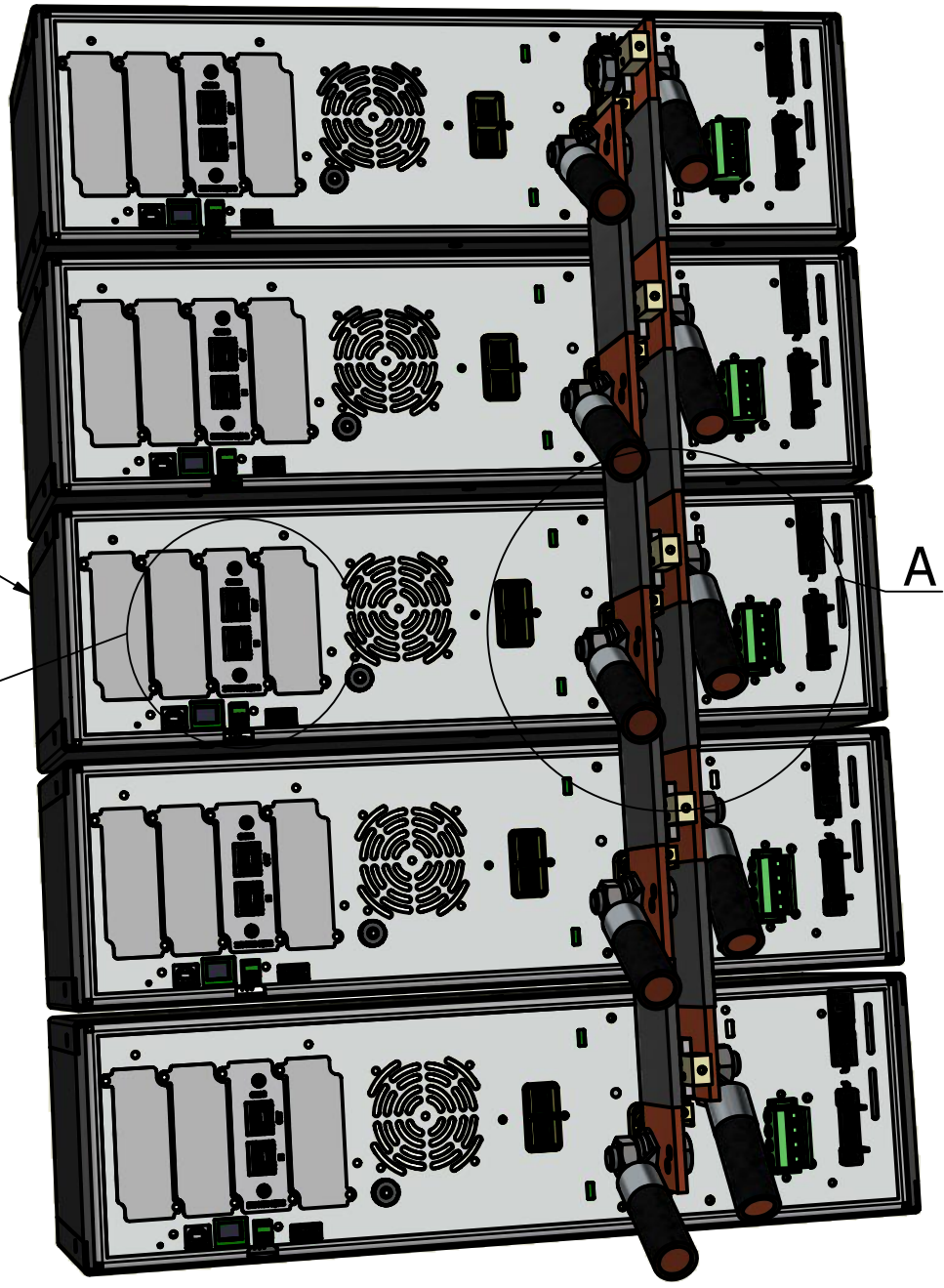
REVISIONS	DATE	NAME	SURFACE TREATMENT:	MAT:
REMARK:	04-02-2022	S.Janse		Delta Elektronika B.V.
TITLE: MASTER SLAVE assembly 5 units lv				DIJKT 4 4301 ND ZIERIKZEE NETHERLANDS
				DWG
				A3 SHEET I-2





INT MOD M/S 2
POSITION :
SLOT 3 OR 4

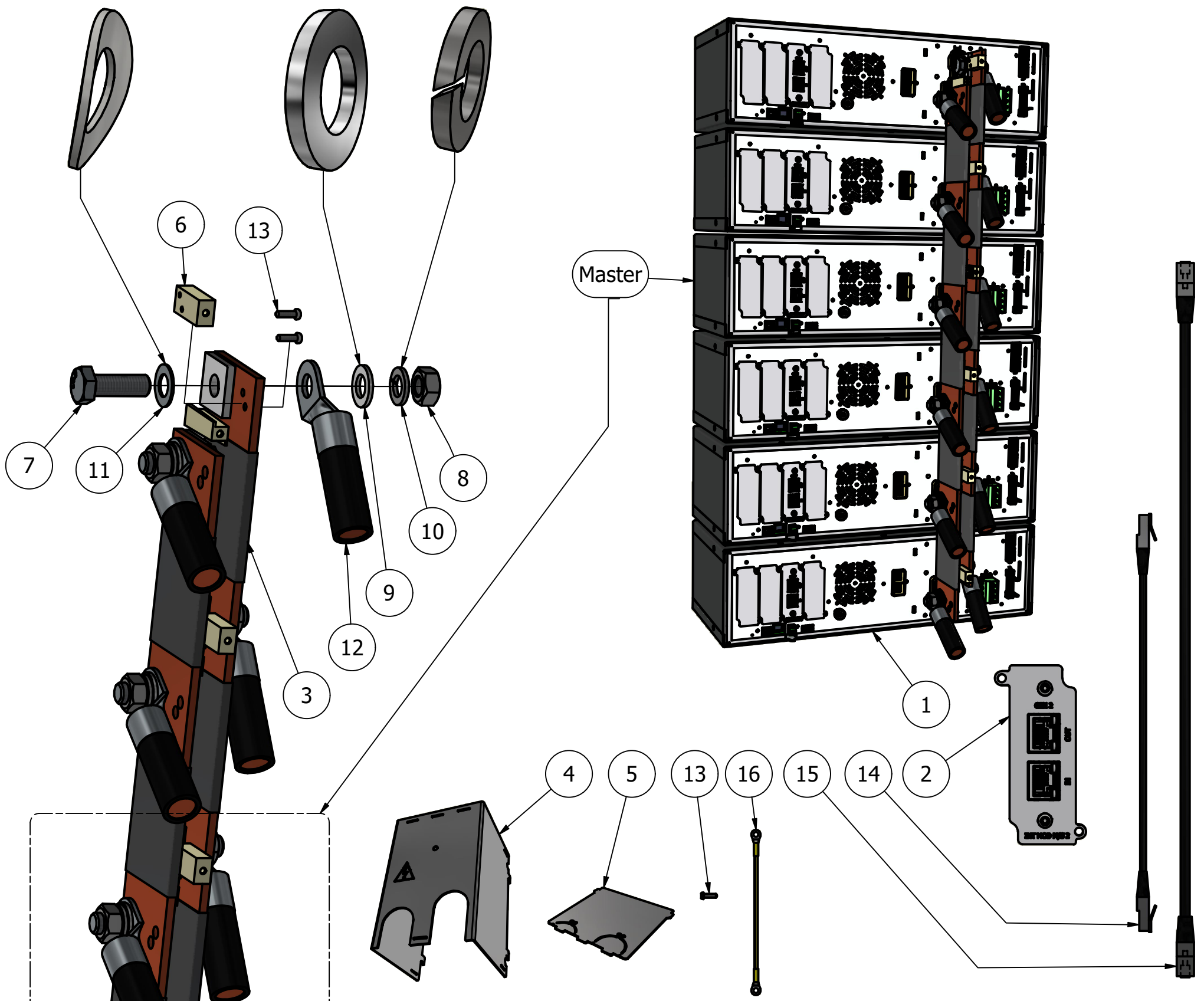
MASTER



SM70-CP-450 (5x)

			SURFACE TREATMENT:	MAT:
				DIM: mm Tol.: ± 0.2
			NAME DESIGNER	Delta Elektronika B.V.
			S.Janse	VISSERSDIJK 4
			DATE	4301 ND ZIERIKZEE
			14-02-2019	NETHERLANDS
REVISIONS	DATE	NAME	TITLE: MASTER SLAVE	
REMARK:			assembly 5 units lv	
			DWG	A3
				SHEET 2-2





PARTS LIST

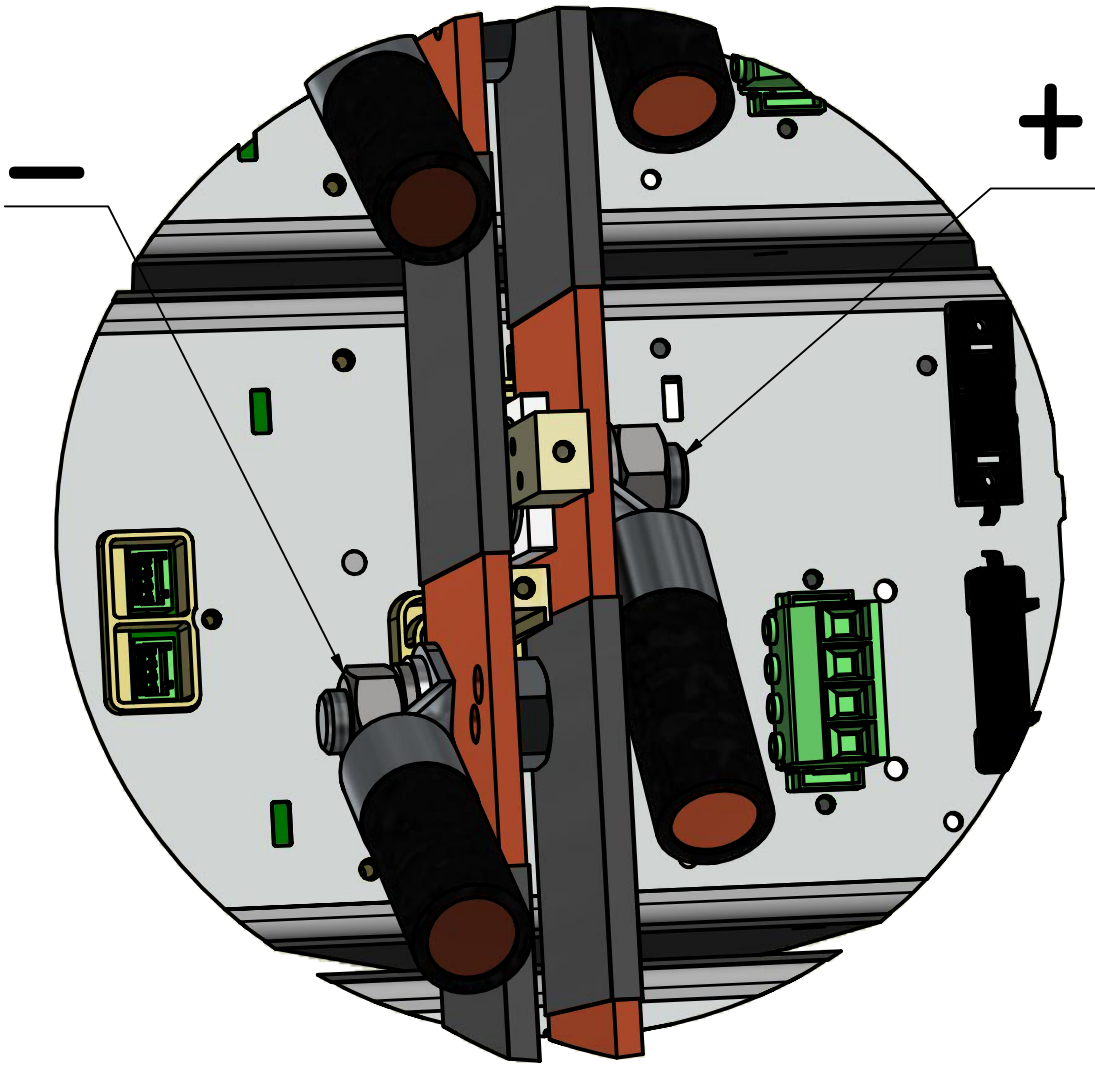
M/S PAR SET A6	ITEM	QTY	STOCK NUMBER	DESCRIPTION
*	1	6	SM70-SM-450	power unit
*	2	6	int mod ms 2	interface m/s gen 2
v	3	2	dwg2546	m/s strip 5 6 units lv
v	4	6	dwg2543	cover outp ms lv
v	5	2	dwg2544	cover end plate m/s lv
v	6	6	dwg2545	cover outp m/s bracket lv
	7	12	M12x35 SG DIN933	screw M12X35 SG DIN933 10.9/Geomet-500
	8	12	M12 A2 DIN934	nut M12 A2
	9	12	M12 A2 DIN125	washer M12 A2
	10	12	M12 A2 DIN 127B	lock washer
v	11	12	M12x24 DIN 137B	crinkle washer
	12	12	not supplied	load cable cable lug M12
v	13	18	3.5x12 ro he T15	D-PT 3.5x12 ro he A2 T15 selftap
v	14	5	CBL P SFTP 0.5 BK	patch cable BK 0.5 m RJ45
v	15	1	CBL P SFTP 1 BK	patch cable BK 1m RJ45
v	16	5	DWG2603	earth cable m/s

REVISIONS	DATE	NAME	SURFACE TREATMENT:	MAT:
REMARK:				DIM: mm Tol.: ± 0.2
			NAME DESIGNER	Delta Elektronika B.V.
			S.Janse	VISSERSDIJK 4
			DATE	4301 ND ZIERIKZEE
			04-02-2022	NETHERLANDS
TITLE: MASTER SLAVE assembly 6 units lv			DWG	
			A3	
			SHEET I-2	

* ORDER SEPARATELY

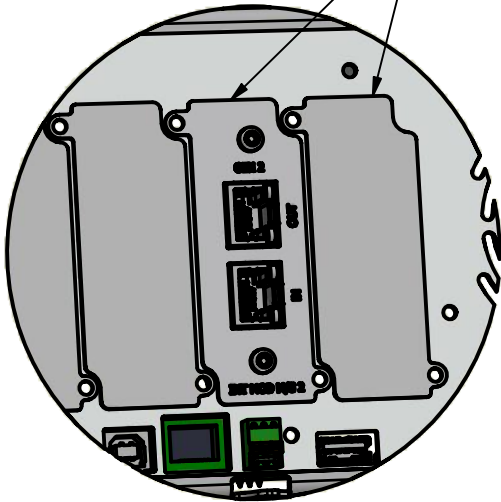


A

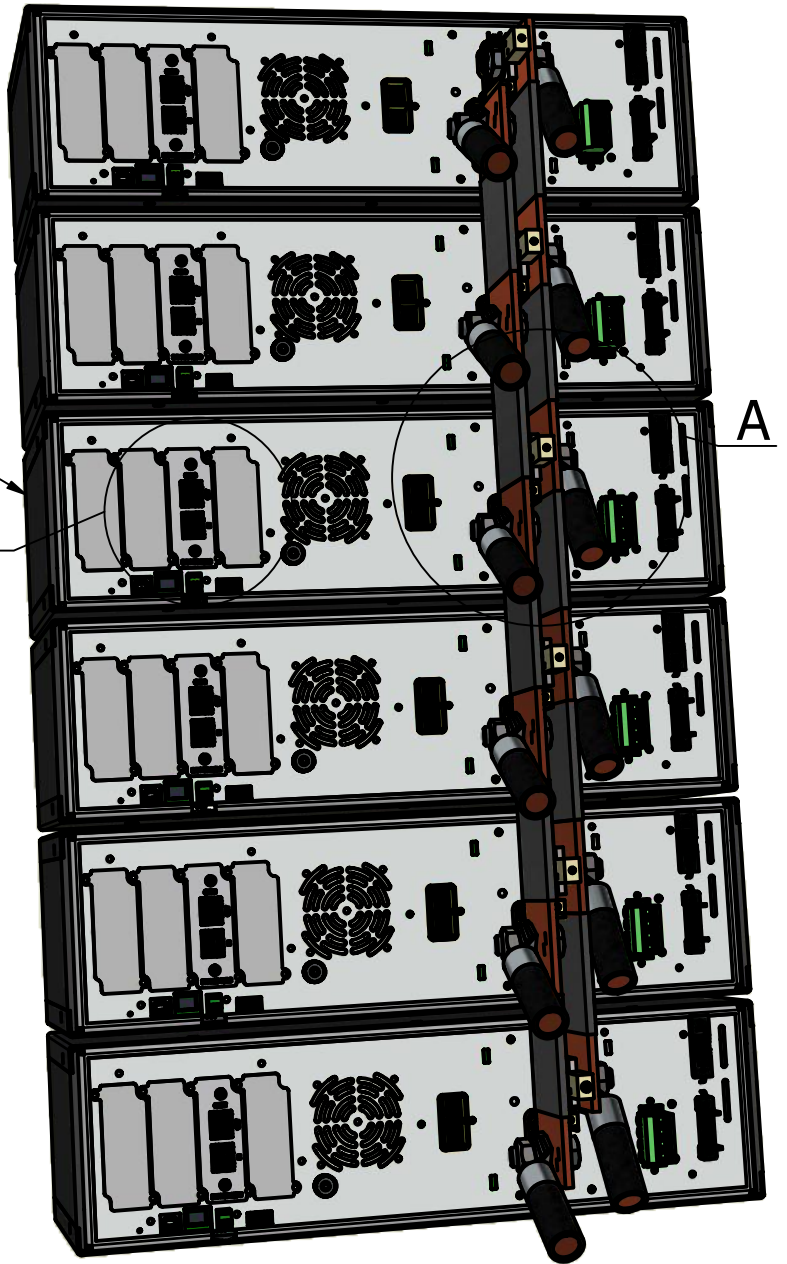


B

INT MOD M/S 2
POSITION :
SLOT 3 OR 4



MASTER



SM70-CP-450 (6x)

			SURFACE TREATMENT:	MAT:
				DIM: mm Tol.: ± 0.2
			NAME DESIGNER	Delta Elektronika B.V.
			S.Janse	VISSERSDIJK 4
			DATE	4301 ND ZIERIKZEE
REVISIONS	DATE	NAME	14-02-2019	NETHERLANDS
REMARK:	TITLE: MASTER SLAVE assembly 6 units lv		DWG	A3
				SHEET 2-2

